

# Talon CAN Bus IoT extender for Sierra mangOH IoT

Low Cost IoT Can Bus for mangOH

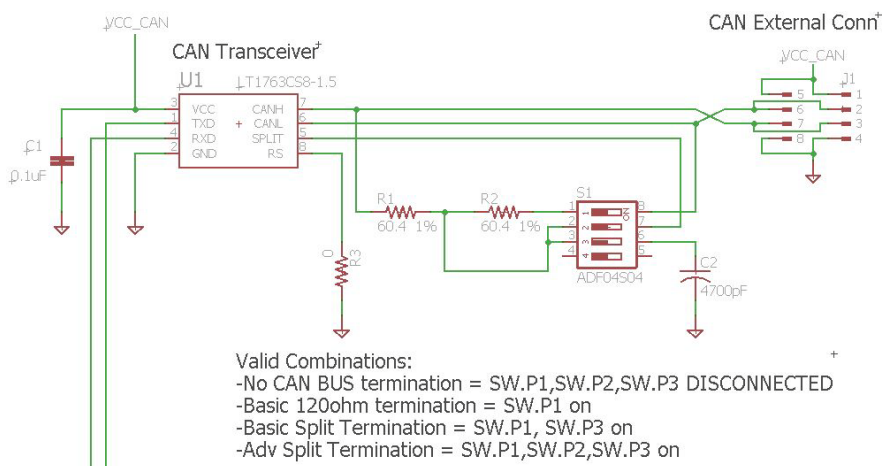


## CAN Bus IoT Module

The CAN Bus module provides Controller Area Network (CAN) controller that implements the CAN specification, version 2.0B on a small QSFP+ form factor. The Talon CAN controller module offers easy integration into the Sierra mangOH™ IoT platform which serves as the Node Controller. It is capable of transmitting and receiving both standard and extended data and remote frames. The Talon CAN Controller has two acceptance masks and six acceptance filters that are used to filter out unwanted messages, thereby reducing the host MCU's overhead. The CAN Controller interfaces with host node controllers via an industry standard Serial Peripheral Interface (SPI) Bus.

### CAN Circuit

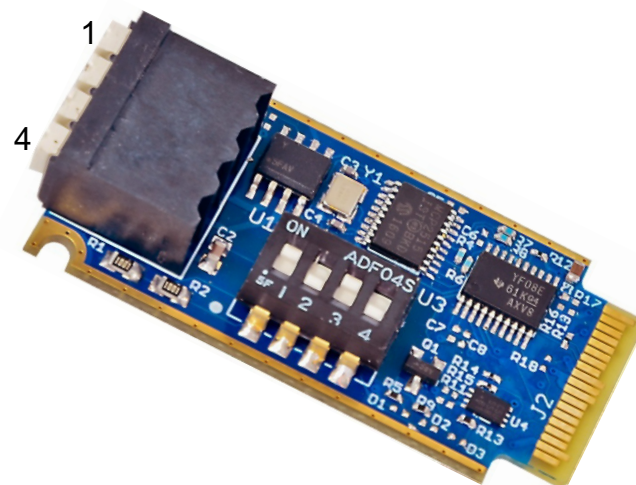
The CAN termination mode is detailed in the following circuit and truth table.



### Applications

The CAN IoT form factor offers a proven, low risk option for a wide range of applications including:

- IoT local data gathering
- Medical Equipment
- Aerospace sensors
- Industrial Control
- Automotive networking
- Rail Systems
- Embedded asset management
- Consumer devices



## CAN IoT Module Features

### Features

- CAN V2.0B
- 0-8 byte data field length
- Standard and extended data and remote frames
- High Speed 10MHz SPI Interface
- 3 Transmit and 2 Receive buffers
- SPI modes 0,0 and 1,1
- Interrupt out with selectable enables
- Six 29 bit filters
- Two 29 bit masks
- Up to 4Mbps CAN data rate
- ISO 11898-2 Compliant

### Physical

- 42.5mm x 22.3mm x 1.2mm QSFP+ form factor
- -40°C to +125°C Operation
- +3.3v Operation
- +1.8v Tolerant Inputs
- <8mA active current
- <10uA standby current
- +-60V overload protection in all modes
- +-25kV HBM without latchup or damage
- +- 36V input common mode range
- RoHS Compliant

For more information please contact:  
Email: [sales@taloncom.com](mailto:sales@taloncom.com)